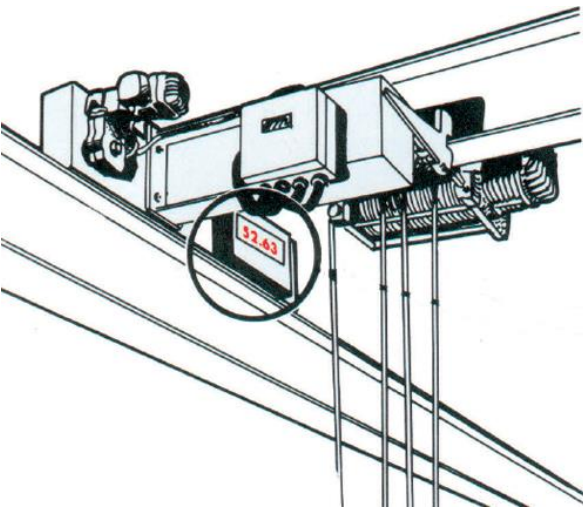




## Overhead Crane Load Monitoring

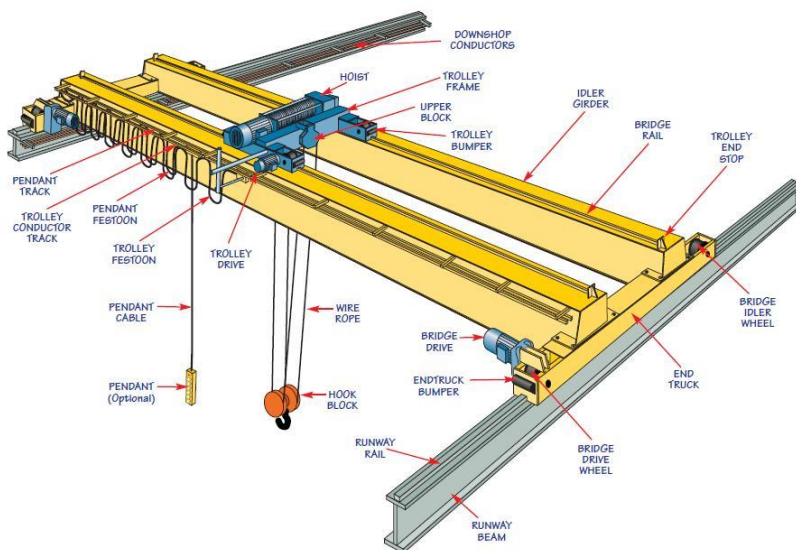
Euroload Limited provide load monitoring solutions for overhead cranes. Consisting of load cell and large display. There are many points to fit the load cell. Replace the compensation sheave pin, dead end wedge socket or clamp on rope style. All load cells have 4-20 ma output to minimise noise from the electrical motors.



We use high quality London Electronics display with 2, 4 or 6" displays, 4 or 6 digits, double sided display available, remote key fob to zero, outputs available including telemetry. We have had these displays working in very harsh environments for over 10 years with no issues.

Audible visual alarms and overload alarms available

We have also fitted load cells and transmitters direct onto the grab of Timber overhead cranes transmitting the load direct from the grab to the operator cabin. Full datalogging is available to log all lifts real-time.



### Features:

- . Load monitoring for all overhead cranes
- . Super fast relays available to stop overload of crane
- . Retrofit to older cranes
- . High spec load cells
- . IP68 ingress protection as standard (load cell)
- . Unsurpassed accuracy and repeatability
- . Mains or DC powered
- . Multiple options for load cell location
- . 2 year manufacturer warranty
- . Simple on-site set up and calibration
- . Load pins custom built for application
- . Worldwide agent network with stock held



# Load cell selection



1) Wedge Socket



2) Load pin



3) Clamp on

Considerations for load cell selection.

1) Wedge Socket: Very easy to fit, just replace pin, keep existing socket in place, no onsite modification. Reading less of the load, on 4 fall reading 1 fall.

2) Load Pin in Compensation sheave. Easy to fit, replace existing pin, reading half the load on 4 fall. We do require a drawing or sketch of the existing pin We send drawing for approval. Very stable and accurate solution.

3) Clamp On. Very easy to install, simply clamp to existing rope. Reading far less load than other 2 options, less stable, unilinear output for load cell. Requires multipoint calibration. Not as repeatable.





# Displays



4 digit 6" high



Double sided

Our display of choice is London Electronics Fusion large digit displays. The fusion series has the following benefits,

- easy to use, no-menu programming
- Smart styling, slim, easy to install
- Optional, remote setting from ground level
- Modular options to suit your exact needs
- Displays can be built to custom formats
- Indoors and outdoor models
- Fast, free technical support
- 2 year warranty
- Large range of mounting and gland positions
- Optional: remote key fob to zero
- ELT24 telemetry output to various receiver modules
- System set up and calibrated in factory to crane spec
- Must be calibrated onsite to verify installation
- Reference load links available to buy or hire from local agent



## ELBP Bespoke Load Pins

Euroload Limited offer a complete design service for bespoke load pins. Design, approval, manufacture, safe area or ATEX/IECEX

Load measuring pins are the simplest and most reliable method of measuring loads. They can be used in a great number of situations, including the most severe environments – sub sea, mining offshore and heavy industry. They can be incorporated easily and economically into the load path by replacing any existing bearing pin.

Typical applications, rope sheaves, fairleads winches, cranes, mooring systems and many more.

Options available; various output types, millivolt, milliamp, telemetry. Dual strain gauging. Dual outputs of different types, dual axis output, sub sea sealed, gland output or connectors, customer specifies connectors.



### Applications:

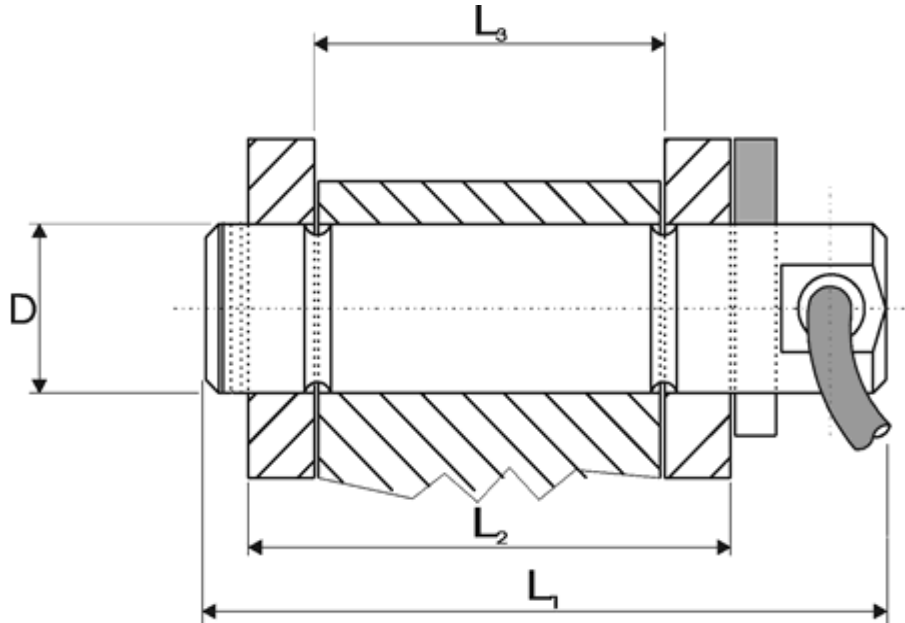
- . Pulleys and sheaves
- . Winches
- . Hoists
- . Shackles
- . Bearing Blocks
- . Wedge sockets
- . Marine and offshore
- . Elevators and conveyor's
- . Mooring Lines
- . Cranes, mobile and static, Overhead
- . Bridge support
- . Subsea



LOAD MONITORING AND STRESS ANALYSIS SPECIALISTS

[www.euroload.eu](http://www.euroload.eu)





Rated Load	1.0 to 2000 tonne
Proof Load	150% of rated load
Factor of Safety	Minimum 5:1
Bridge resistance	700 Ohm
Excitaion Voltage	5-15 VDC
Insulation Resistance	>2G Ohm
Enviromental Rating	Typical IP68, designed to meet specific application
Operating temp range	minus 20 to plus 80 deg C
Cable lenght	10 Mtr as standard. Optional on order
Wiring	Red + exc Blue -exc Grean +signal Yellow-Signal
Output available	Mv/v as standard, 4-20 ma, 0.1-5.1VDC, 0.10VDC, +/- 10 VDC,
Telemetry	RS-422, RS-485, ASC11, Modbus
	T24 Telemetry output avaialeb for all load pins



Also available with hazardous area approval, zones 0,1 & 2



Ex ia II C T4 Ga

Mv/v or 2 wire 4-20 ma Output



## ELBP Bespoke Load Pins

### Local Agent:

Euroload Limited, Unit 9, Airside Business Park,  
Dyce Drive, Kirkhill Ind Est, Dyce, Aberdeen,  
AB21 0GT. Tel: +44 (0) 1224 774115 e-mail  
info@euroload.eu www.euroload.eu