



ELS-ECO-24 Light Duty G-4163 Telemetry Load Shackle

Euroload Limited provide a range of Light Duty load monitoring shackles. Manufactured from Van Beest G-4163 heavy duty bow shackle as standard. Stainless steel, down hole strain gauged load pins.



Euroload can manufacture using any manufacturer or style of load shackle for specific applications. Subsea or Hazardous area are also available.

At Euroload we calibrate every load shackle in its bow in tension. We never calibrate load shackle pins on V Blocks in compression. The accuracy is unacceptable calibrated on V blocks.

Euroload load shackles have incredible accuracy and repeatability through years of R and D.

These light duty load shackles have been designed to accurately read load in very small shackles.

The options available for the ELT telemetry output are unsurpassed, from battery operated handsets to receiver modules for analogue output, digital output, gateways, datalogging, large digit displays, printers, etc. See our ELT24 Made to Measure brochure for a full list.

The 2.4 GHz signal is worldwide exempt.

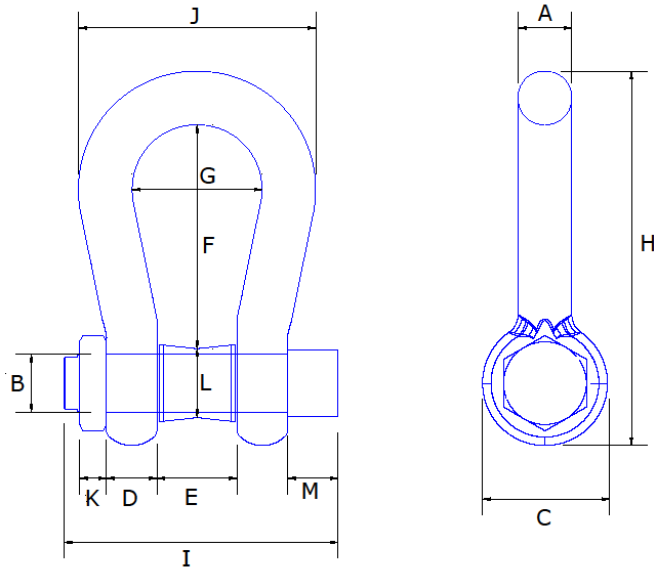
The standard range cover 4.75 tonne to 17 tonne. These load shackles are utilised in varies industries including, Oil and Gas, Stage and light rigging, Manufacturing, Aerospace, renewables, Fishing, Transportation, Marine.

Anywhere a reliable tensile load reading is required.



Features:

- . ELT24 telemetry output. 2.4 GHz worldwide except
- . Unsurpassed range of receivers and modules
- . Free datalogging software
- . High Grade stainless steel load pins
- . Compact size and low headroom.
- . Light Duty Plastic electronic housing
- . IP66 ingress protection as standard
- . Selectable units of measurement
- . Peak hold as standard
- . 2 year manufacturer warranty
- . Massive stock held in factory
- . Worldwide agent network with stock held



Shackle Dimension`s Van Beest G-4163 Light Duty ECO Bow Shackle BN

Shackle Size WLL	a	b	c	d	e	f	g	h	i	j	k	l	m	Weight KG	
4.75		19	22	46	19	31	66	51	129	114	89	19	40	40	1.25
6.6		22	25	52	22	36	73	58	144	130	102	22	42	40	2
8.5		25	28	59	25	43	85	68	164	150	118	25	48	40	2.8
9.5		28	32	66	28	47	98	75	185	166	131	27	52	40	4
12		32	35	72	32	51	105	83	201	178	147	30	55	40	5.5
13.5		35	38	80	35	57	123	92	227	197	162	33	58	40	7
17		38	42	88	38	60	136	99	249	202	175	19	70	40	9
Material	Bow and Pin high tensile steel, grade 6, quenched and tempered														
Safety Factor	MBL equals 6 x WLL														

Specification`s

Size WLL	4.75	6.6	8.5	9.5	12	13.5	17
Units	1	Tonnes					
	2	Klbs					
Resolution	1	0.001					
	2	0.002					
Battery Type	Load Shackle 2 off AA batterys (depending on update rate up to 6 months continuous use) Handset 2 off AA (40 Hours)						
Accuracy	± 1% of F.S						
Operating temp	-10 deg C to +60 deg C						
Environmental rating	IP66						
Radio Frequency	2.4 GHz ELT24 transmitter, optional receivers. Transmission range 500 mtr depending on site conditions.						
Handset	As standard ELT-24-HS2 2.4 GHz receiver.						
Note: Any 2 units of measurement can be specified at time of order.							
Certification package supplied with each link contains: Calibration Certificate to BS 8422:2003, Declaration of Incorporation, EU Declaration of Conformity, Declaration of Manufacture, EC Declaration of Incorporation, CE- Approval Statements, Checklist and user instructions. Material Certificates 2.1, 2.2, 3.1.							



ELS-ECO-24 Light Duty G-4163 Telemetry Load Shackle

Local Agent:

Euroload Limited, Unit 9, Airside Business Park, Dyce Drive, Kirkhill Ind Est, Dyce, Aberdeen, AB21 0GT.
Tel: +44 (0) 1224 774115 e-mail info@euroload.eu